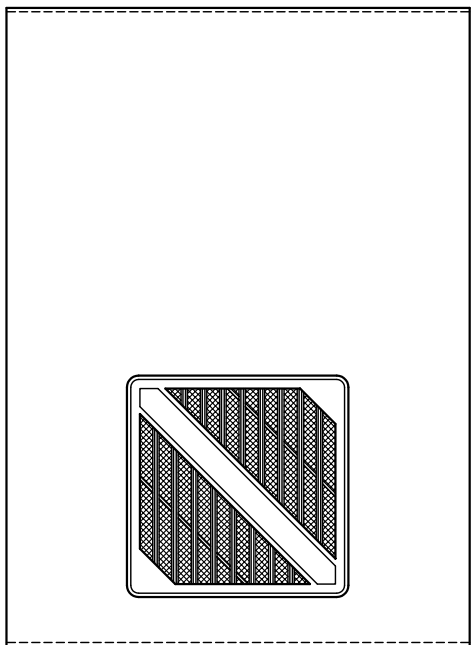
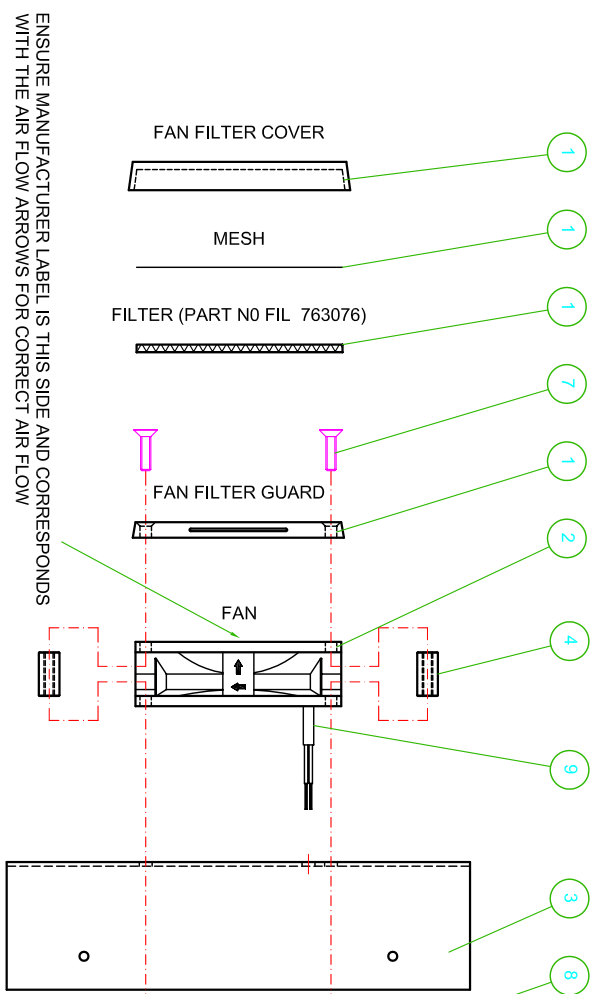
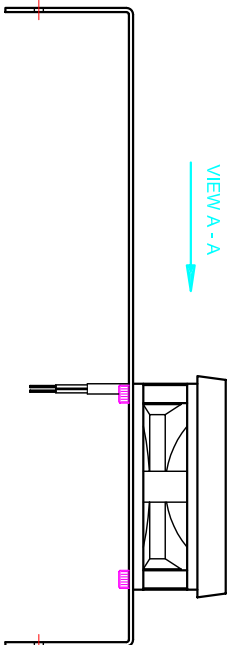


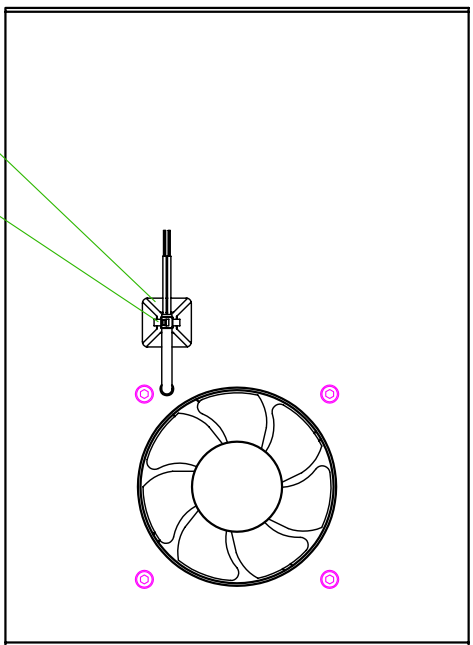
NOTE  
CUT HEAT SHRINK (HSK 507407) TO 50.00mm LONG  
AND FIT HEAT SHRINK AS SHOWN IN VIEW A - A



VIEW A - A



Ref.	Prefix	Part No.	Description	Iss.	Qty	Source
1	FIL	763073	Fan Filter Unit	2	1	Purchased
2	FAN	763074	Fan (53E)	n/a	1	Purchased
3	UPI	763064	UpI Top Cover (53E)	2	1	Manufactured
4	SPA	763072	Spacer Fan (53E)	2	4	Manufactured
5	ELE	507300	Cable Tie	n/a	1	Purchased
6	BAS	507317	Cable Tie Base	n/a	1	Purchased
7	FAS	M4CSS16	Countersunk Set Screw	n/a	4	Purchased
8	FAS	M4SCS12	Socket Cap Screw	n/a	4	Purchased
9	HSK	507407	Heat Shrink	n/a	1	Purchased
MOD No.			Date:-	Used On:-	Issue:-	
					3	
Sheet 1 of 1			Title	Prefix	Part No.	
			Assembly Top Cover Fan (53E)	ASY	763078	
			Date:-	25 MAY 2004		



REV	3	DATE	25 MAY 2004	BY	N/A	CHKD	N/A
APP	SEE PARTS LIST	TITLE	ASSEMBLY TOP COVER FAN (53E)	DATE		SCALE	
DRWN	QWP	SCALE	1:1	OPEN DATE	EQUIPMENT LTD	REV	ASY 763078