

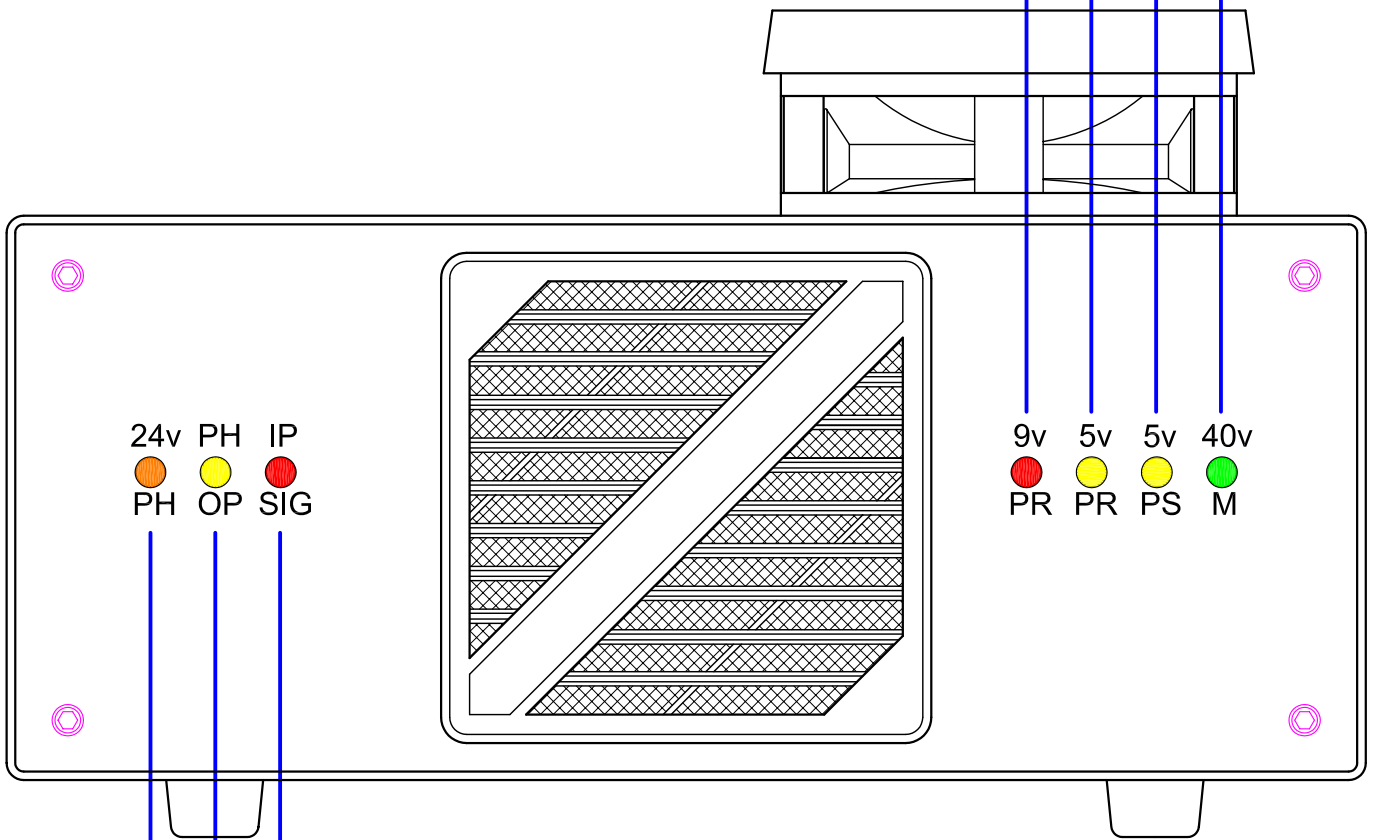


STEPPER MOTOR 40 VOLT SUPPLY LED

POWER SUPPLY 5 VOLT LED

PRINTER 5 VOLT SUPPLY LED

PRINTER DISPLAY 9 VOLT LED



PRINT INPUT SIGNAL LED

24 VOLT PRINTHEAD OPERATION LED

PRINTHEAD 24 VOLT SUPPLY LED

A4 REF SHEET Issue 1.dwg

ISSUE	3	DATE	19 MAY 2004	MOD No	N/A	REASON	
MATERIAL	NONE			TITLE	HS3 POWER SUPPLY LED DETAILS (series 2)		
FINISH	NONE						
DRAWN	CWP	CHECKED		SCALE	NONE	OPEN DATE EQUIPMENT LTD	PART NO REF 767008