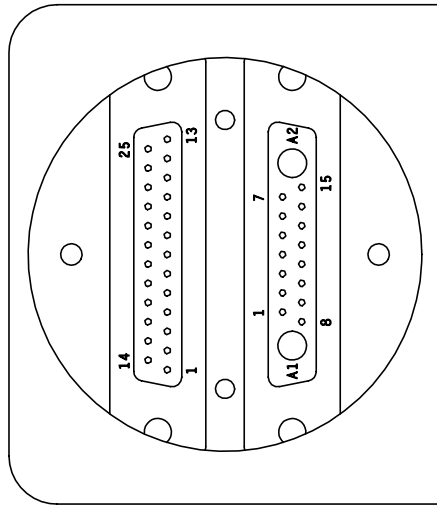
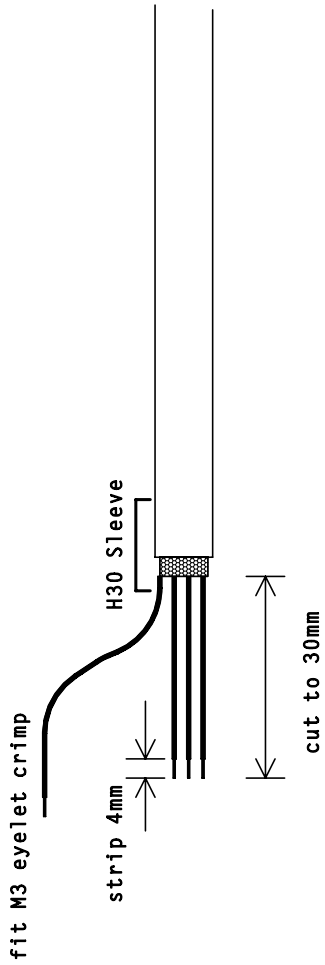
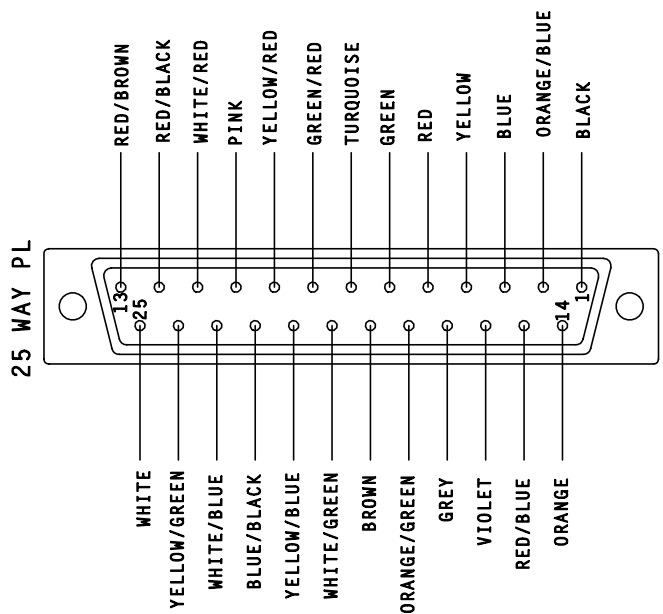
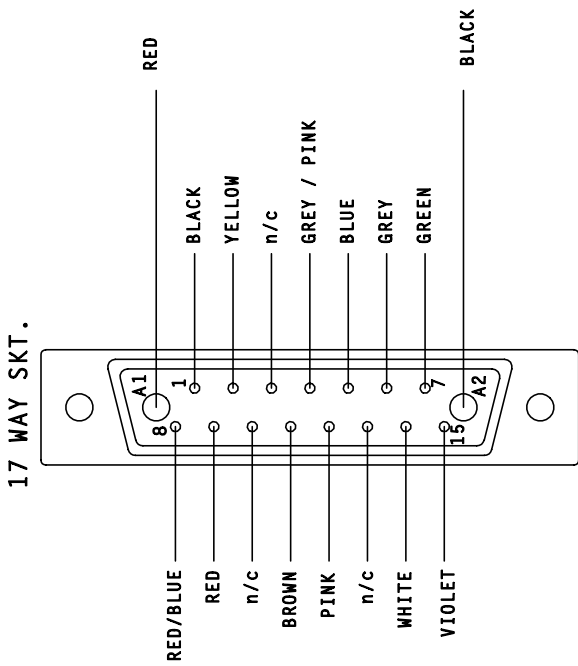


REFERENCE DRAWING



CABLE ARRANGEMENT
(both ends the same)

ISSUE	1	DATE	6 FEB 2002	TITLE	HS2 Cable Connections Diagram	
DRAWN	CC	CHECKED		SCALE	NONE	PART NO.
				OPEN DATE EQUIPMENT LTD	REF 767031	