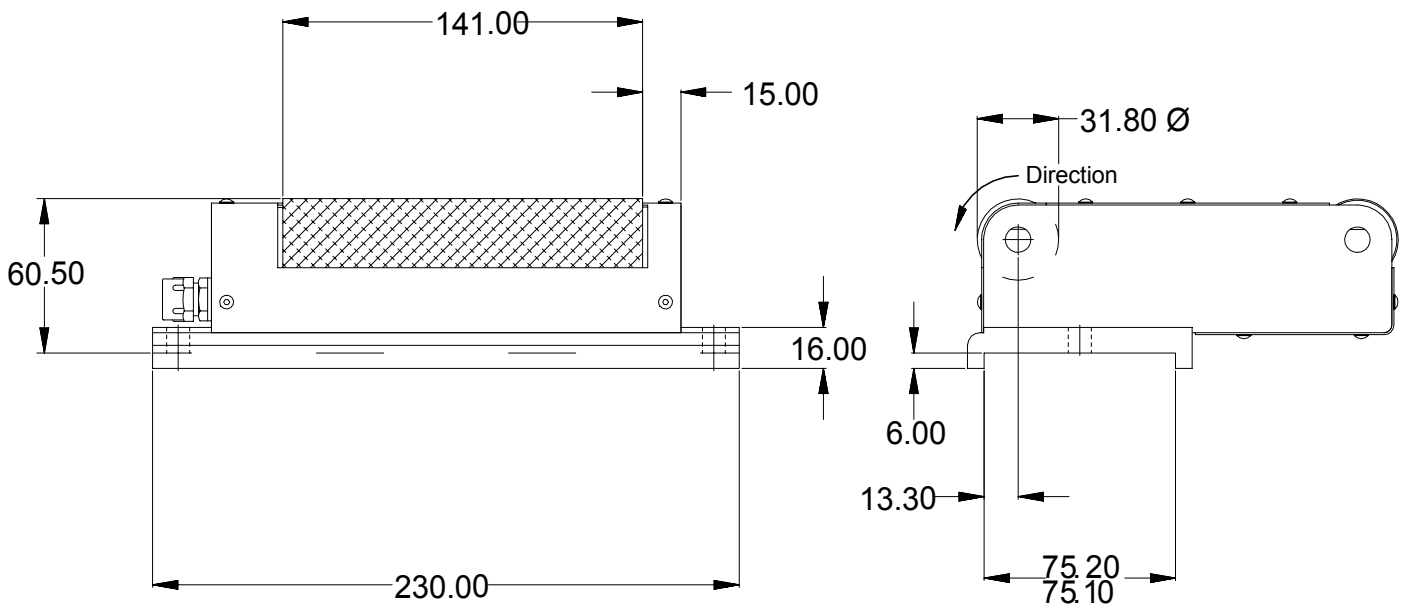
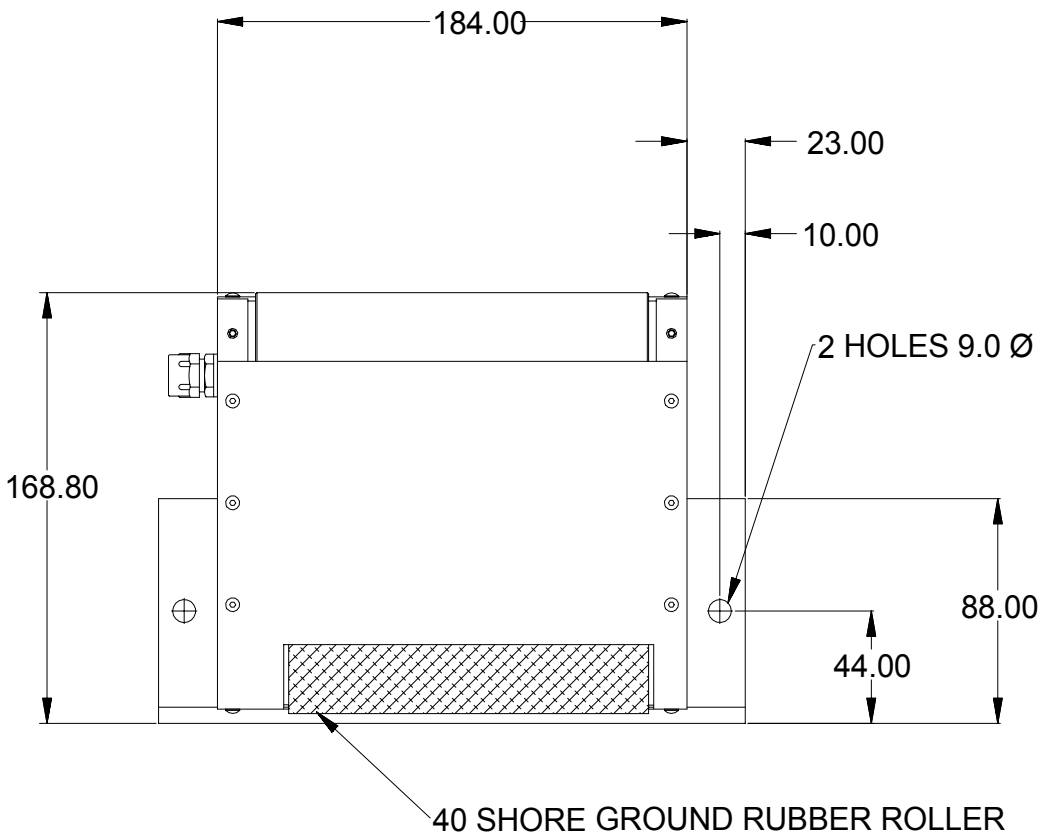


# REFERENCE DRAWING



ISSUE	1	DATE	09/09/2002	TITLE	53 & 107 LOWER ROLLER DIMENSIONS	
DRAWN	CC	CHECKED		SCALE	NONE	PART NO.
				OPEN DATE EQUIPMENT LTD		REF 767056