

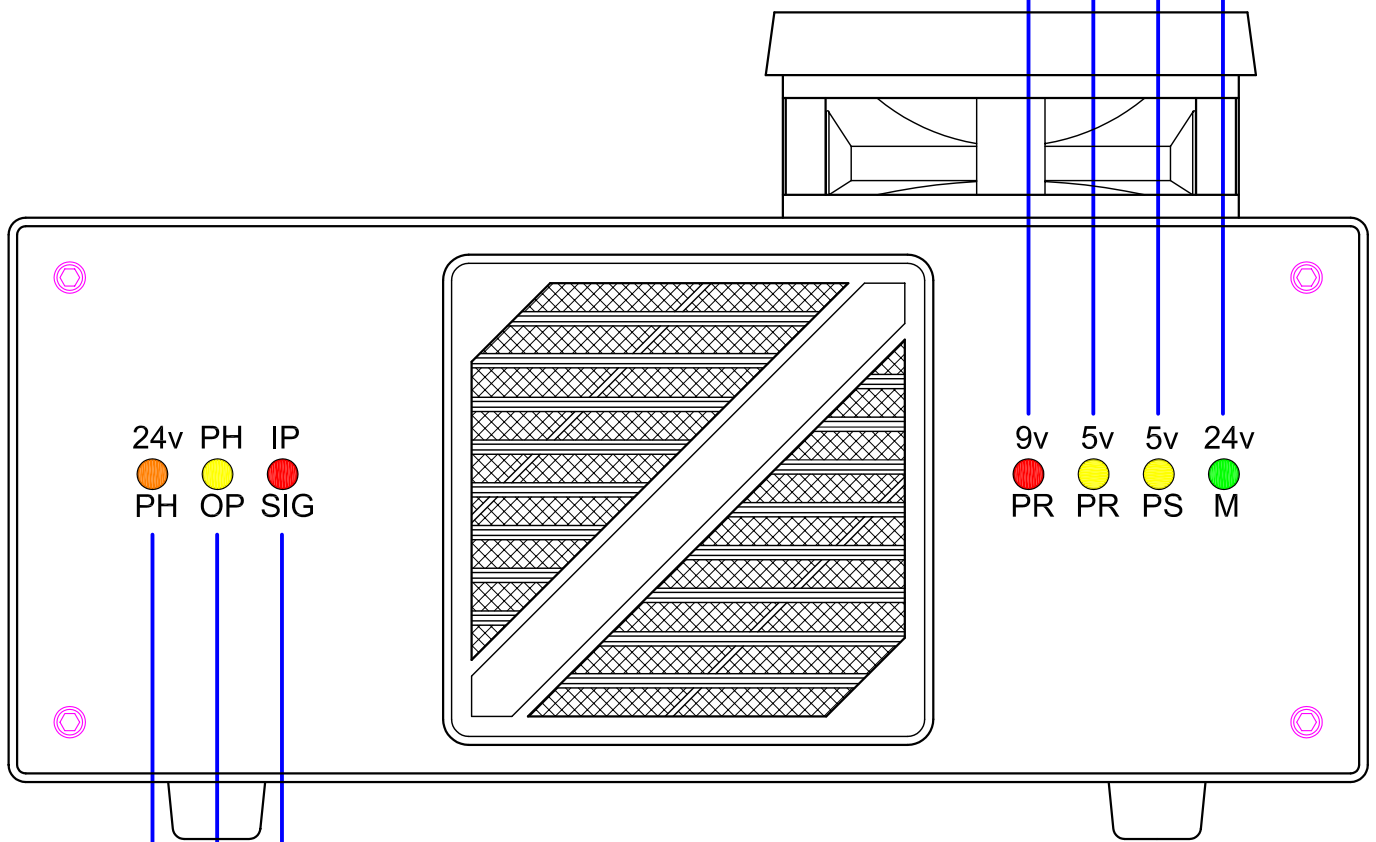


STEPPER MOTOR 24 VOLT SUPPLY LED

POWER SUPPLY 5 VOLT LED

PRINTER 5 VOLT SUPPLY LED

PRINTER DISPLAY 9 VOLT LED



PRINT INPUT SIGNAL LED

24 VOLT PRINTHEAD OPERATION LED

PRINTHEAD 24 VOLT SUPPLY LED

ISSUE	3	DATE	19 MAY 2004	MOD No	N/A	REASON	
MATERIAL	NONE			TITLE	53E POWER SUPPLY LED DETAILS		
FINISH	NONE			DRAWN		CWP	CHECKED
				SCALE	NONE		PART NO
DRAWN						CWP	CHECKED
SCALE						NONE	
OPEN DATE EQUIPMENT LTD						REF 767066	