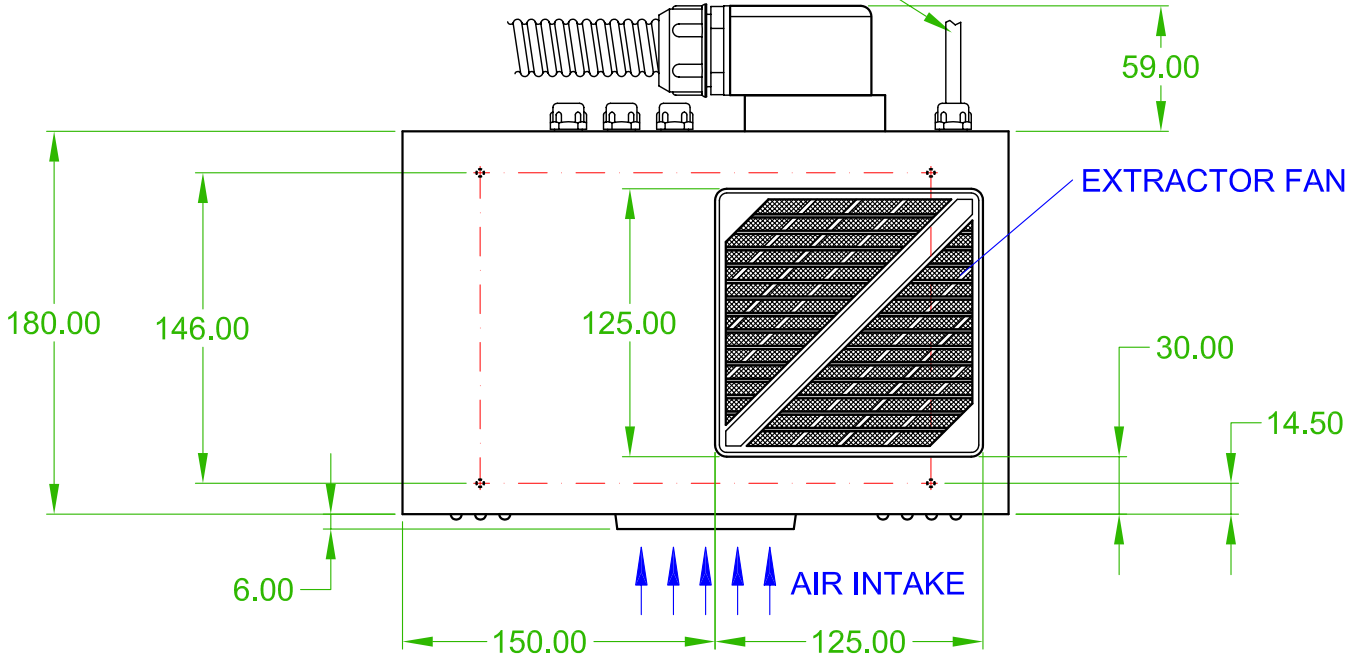




Mains Cable Connections:-

Brown = Live  
Blue = Neutral  
Green/Yellow = Earth

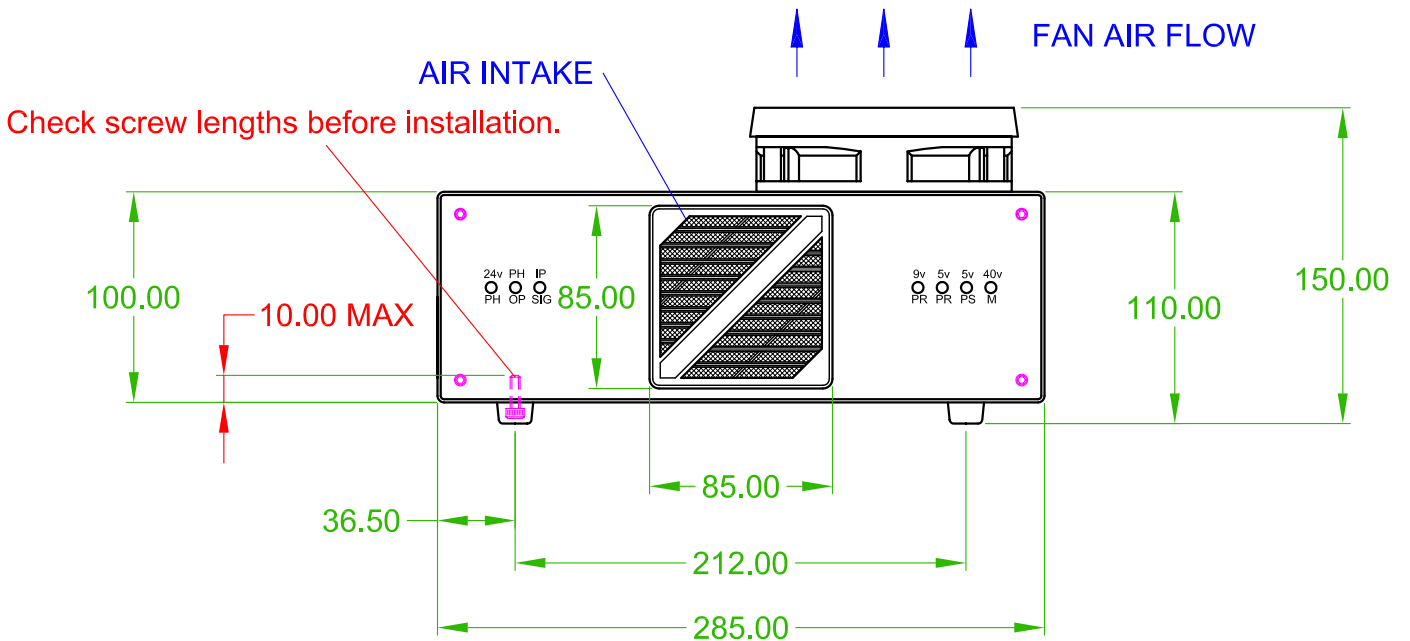
**NOTE !**  
**DO NOT RESTRICT THE AIR INTAKE**  
**OR EXTRACTOR FAN. (AT LEAST**  
**30mm FREE SPACE)**



The mounting feet can be removed, allowing fixing of the Power Supply to a parent machine.

The maximum length of thread allowed inside the Power Supply is 10mm. (See dimension below)

When fitting to a parent machine, use part number (KIT 765079) To prevent distortion of the Case.



ISSUE	3	DATE	19 MAY 2004	MOD No	N/A	REASON	
MATERIAL	NONE			TITLE	HS3 POWER SUPPLY DIMENSIONS (series 2)		
FINISH	NONE						
DRAWN	CWP	CHECKED		SCALE	NONE	OPEN DATE EQUIPMENT LTD	PART NO REF 767097