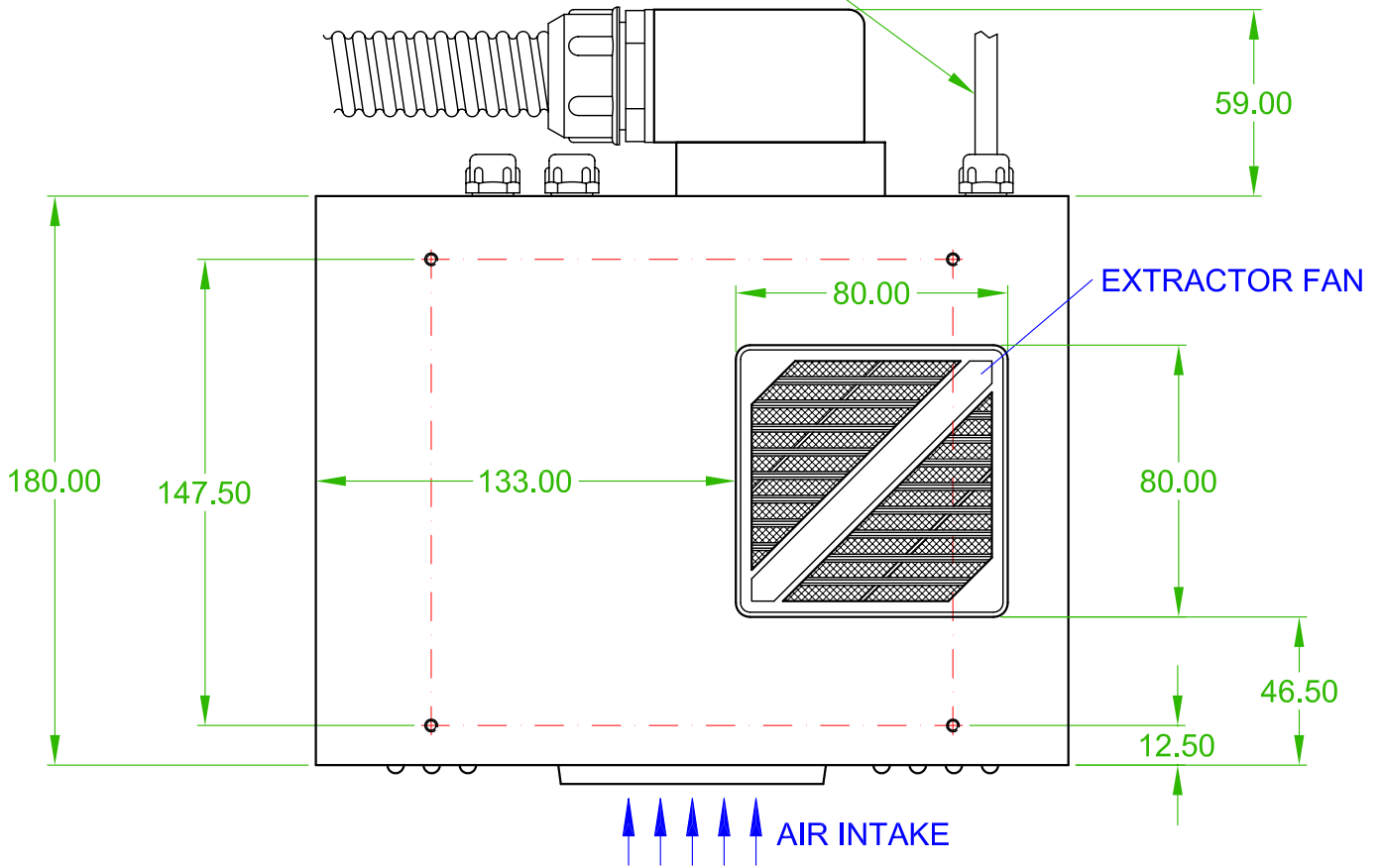




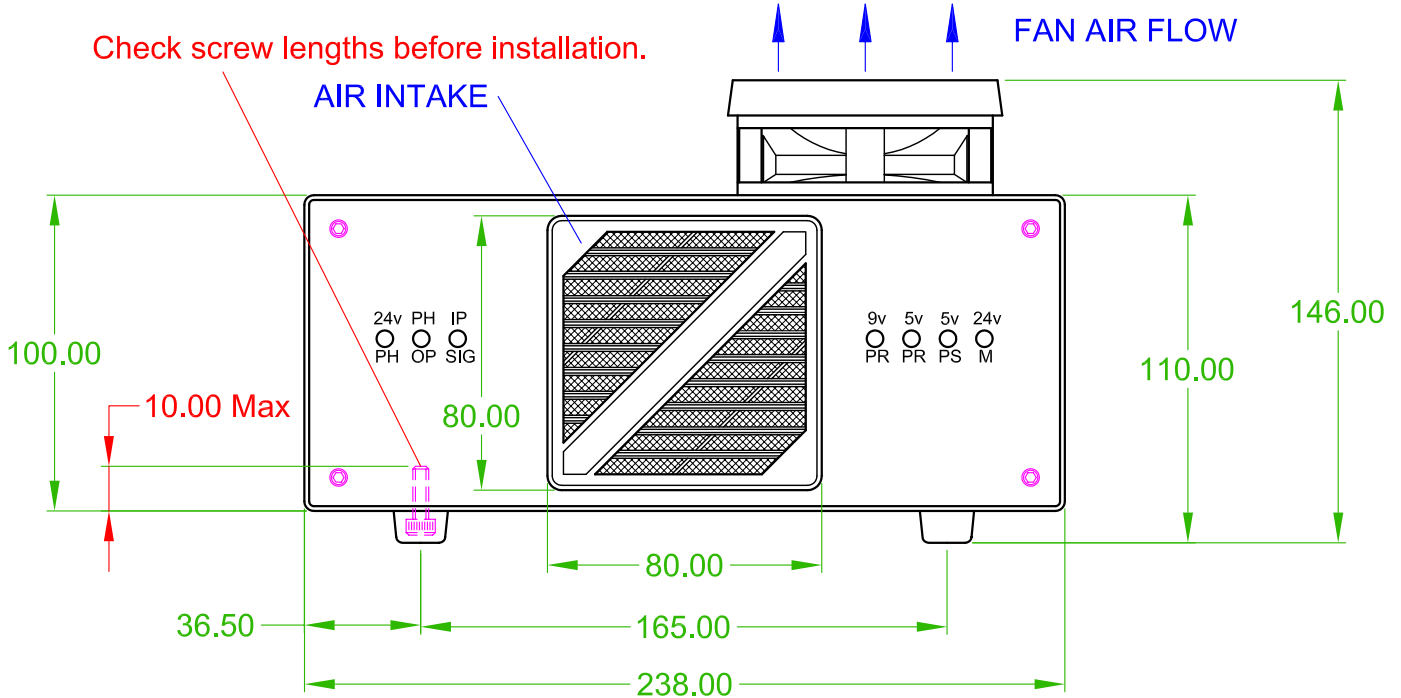
Mains Cable Connections:-

Brown = Live
Blue = Neutral
Green/Yellow = Earth

NOTE!
DO NOT RESTRICT THE AIR INTAKE
OR EXTRACTOR FAN. (AT LEAST
30mm FREE SPACE)



The mounting feet can be removed, allowing fixing of the Power Supply to a parent machine. The maximum length of thread allowed inside the Power Supply is 10mm. (See dimension below) When fitting to a parent machine, use part number (KIT 765079) To prevent distortion of the Case.



A4 REF SHEET Issue 1.dwg

ISSUE	2	DATE	19 MAY 2004	MOD No	N/A	REASON	
MATERIAL	NONE			TITLE	HS3 POWER SUPPLY DIMENSIONS (53E)		
FINISH	NONE						
DRAWN	CWP	CHECKED		SCALE	NONE	OPEN DATE EQUIPMENT LTD	PART NO REF 767098