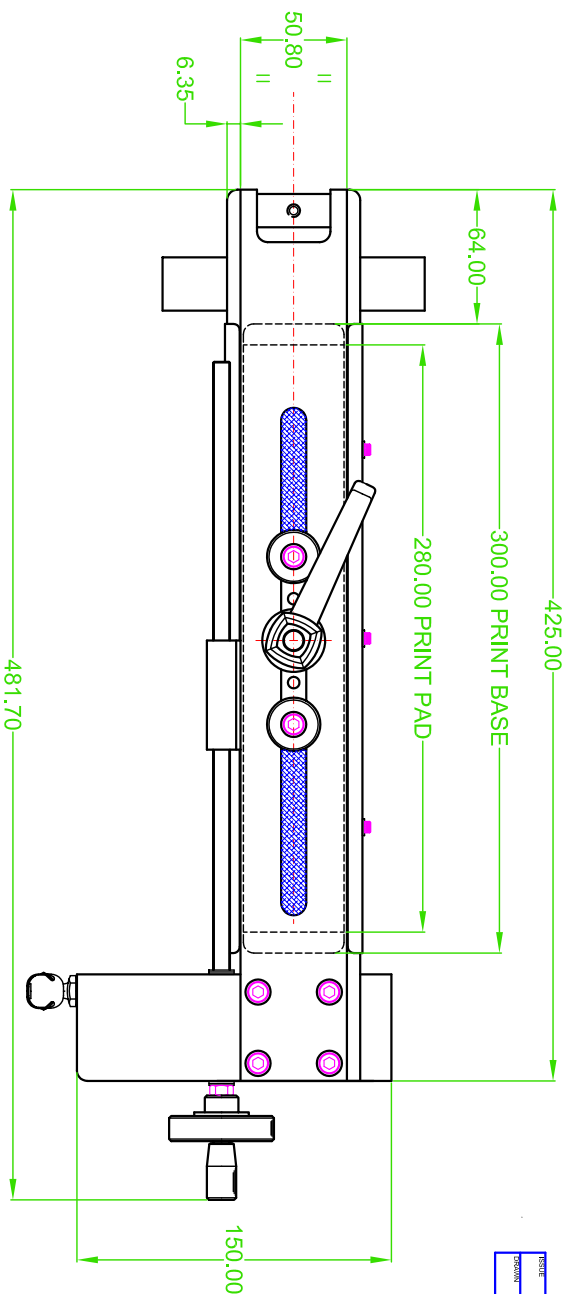


REV	DATE	DESCRIPTION	BY	CHKD
1	23 JUN 2004	FRAME 53E Economy (full size)		
1	1 : 1	OPEN DATE EQUIPMENT LTD		
		REF 767126		



### NOMINAL STD FRAME DIMENSIONS FOR 53E ECONOMY FRAME

