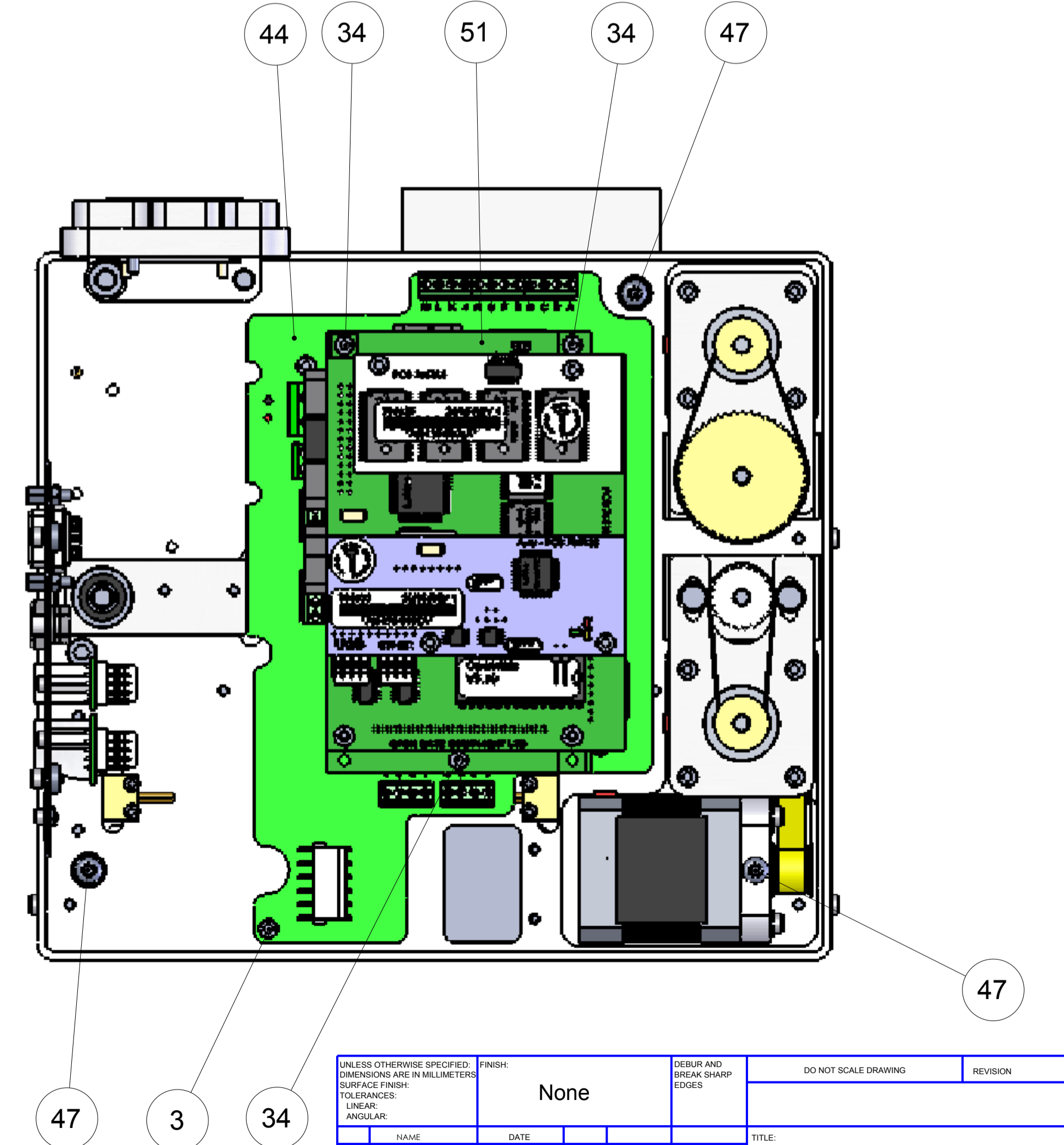
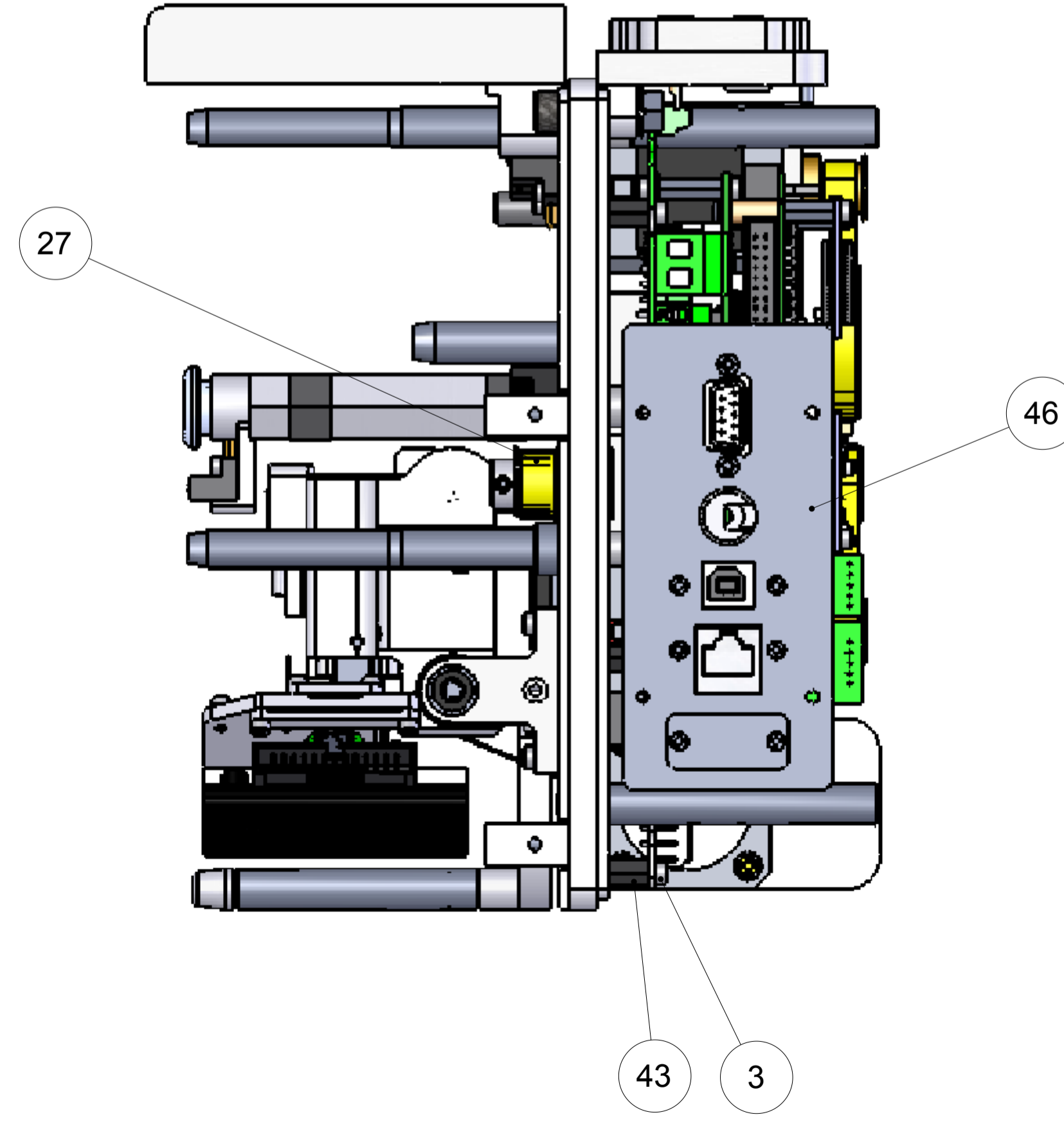
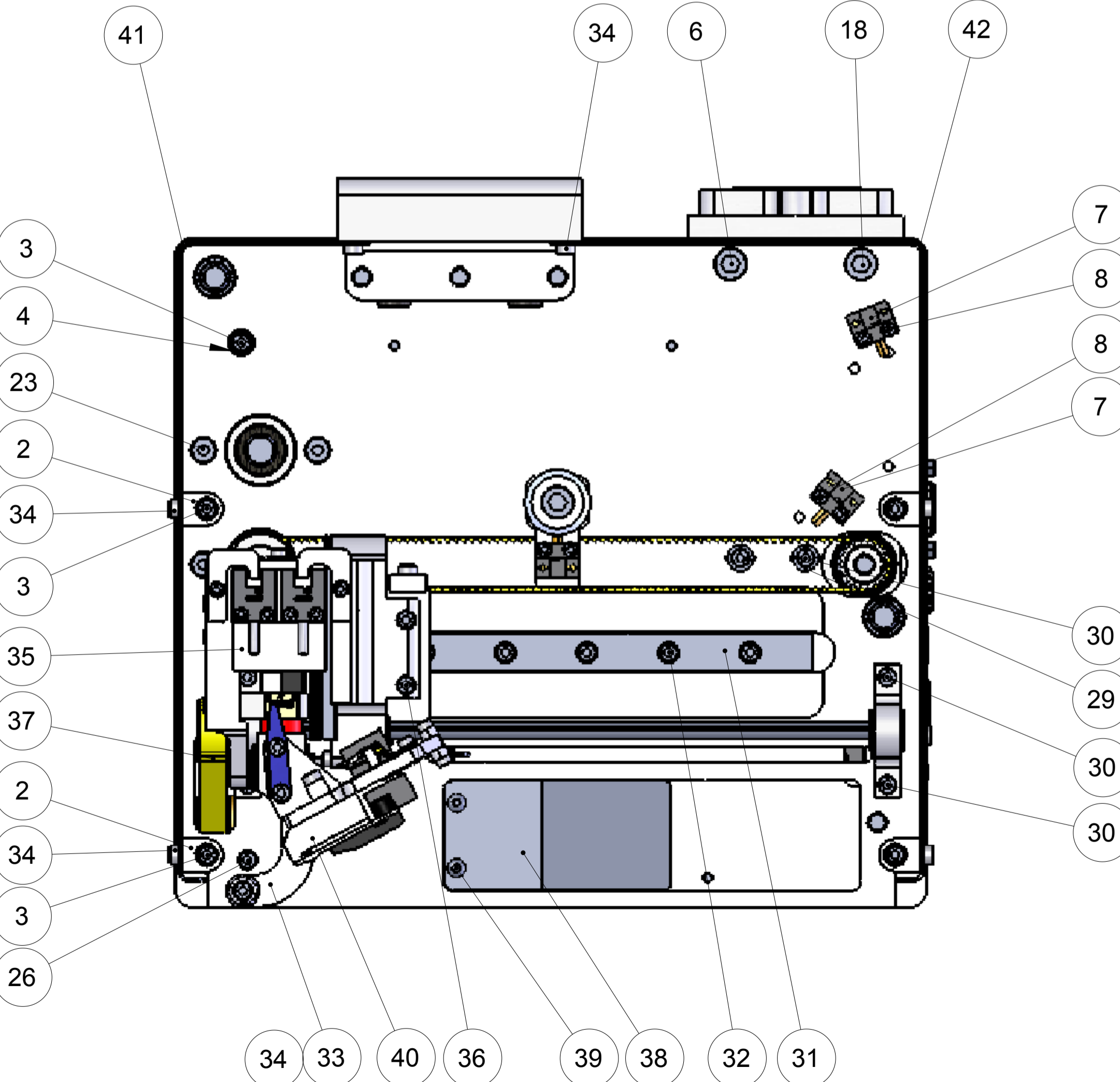
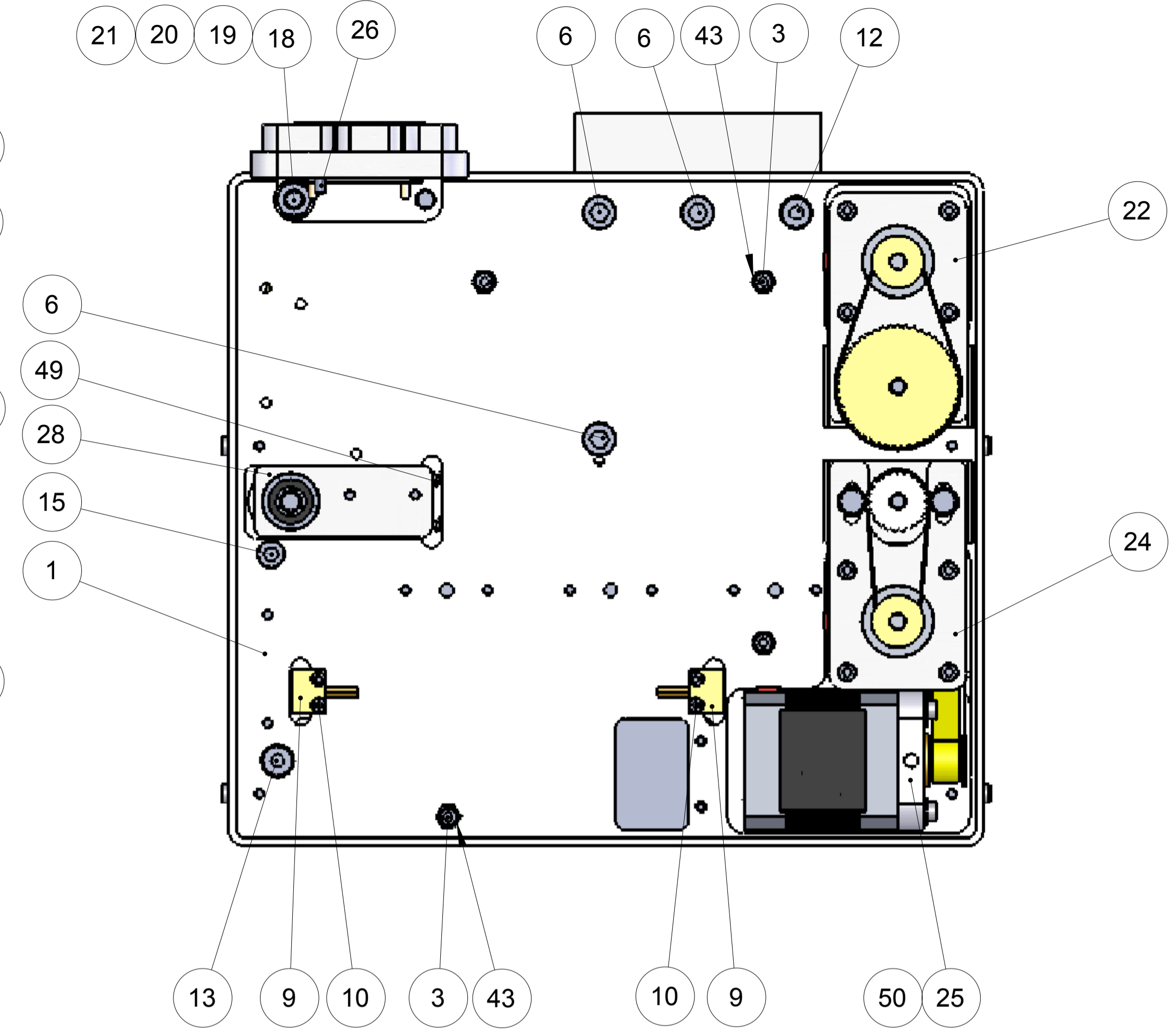
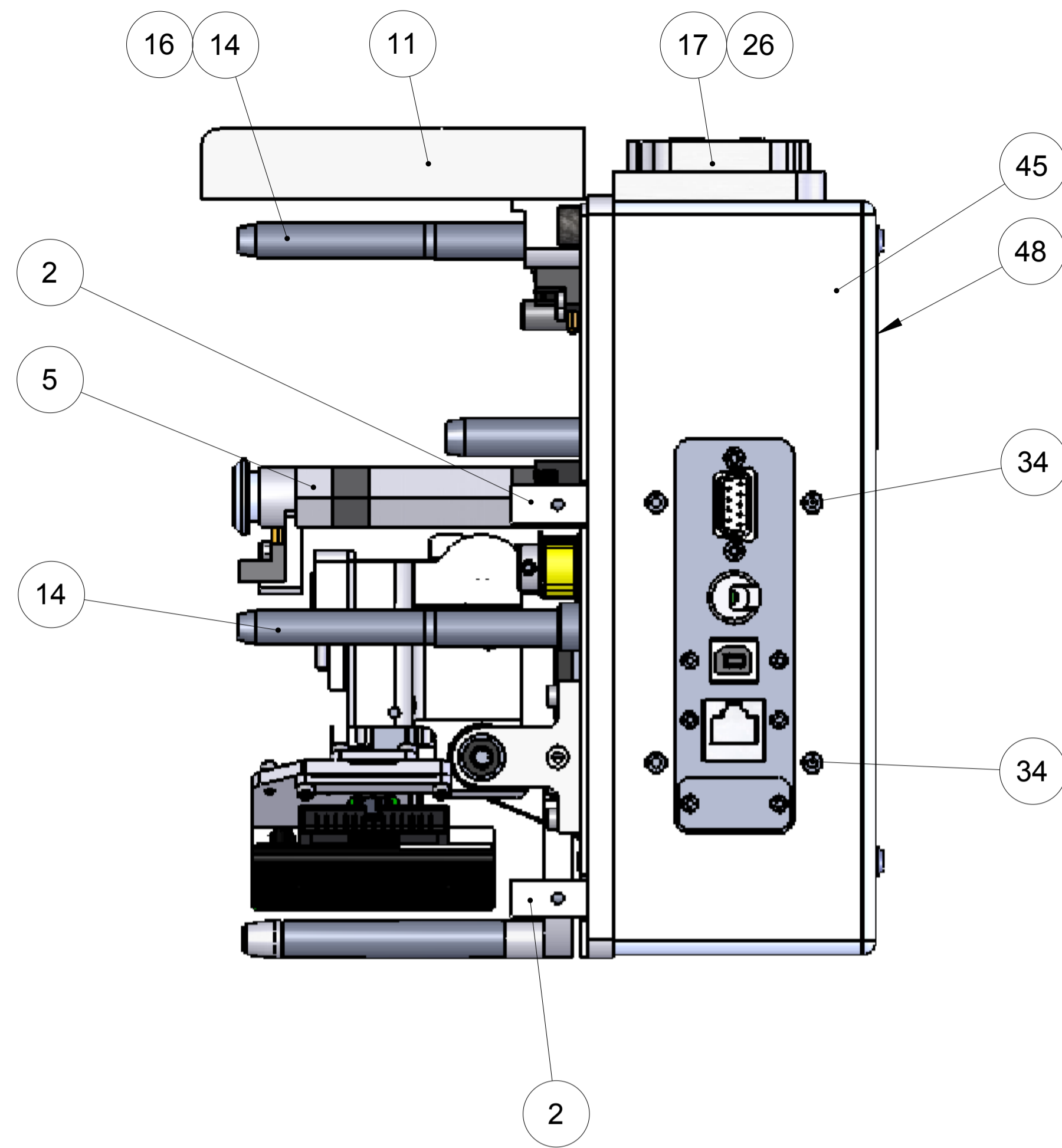


ITEM NO.	PART NUMBER	DESCRIPTION	QTY.
1	PLA 762107-8	Plate Machine Body (M)	1
2	BLO 762093	Block Cassette Stop	4
3	M3SCS16	M3 Socket Cap Screw x 16 Long	10
4	SLE 761042	Sleeve Stop	1
5	ASY 762269	Assembly Cassette Stop (53)	1
6	M6SCS20	M6 Socket Cap Screw 20 Long	4
7	ELE 762092(B)	Sensor Linear Movement	2
8	M2.5SCS08	M2.5 Socket Cap Screw 08 Long	4
9	ASY 762267	Assembly Linear Sensor	2
10	M2.5SCS06	M2.5 Socket Cap Screw 06 Long	4
11	ASY 762276	Assembly Printhead Support (53)	1
12	SOC 762148	Socket Guard Support	1
13	SOC 762149	Socket Guard Support	1
14	STU 762351	Stud Location (53)	2
15	M5SCS25	M5 Socket Cap Screw 25 Long	1
16	M5SCS12	M5 Counter Sunk Screw 12 Long	1
17	ASY 762283	Assembly D' Connector Block (M & L)	1
18	M6SCS25	M6 Socket Cap Screw 25 Long	1
19	M6WASSHK	M6 Shakeproof Washer	1
20	M6WAS	M6 Stainless Steel Washer	1
21	M6NUT	M6 Full Nut	1
22	ASY 762179	Assembly Ribbon Motor(INT)	1
23	M4SCS16	M4 Socket Set Screw 16 Long	4
24	ASY 762180	Assembly Linear Motor (INT)	1
25	ASY 762181	Assembly Pressure Motor	1
26	M3SCS10	M3 Socket Cap Screw x 10 Long	2
27	BEL 762067	Belt 107 Print	1
28	ASY 762182	Assembly Linear Belt Tension	1
29	WAS 751031	Washer Brake Arm	2
30	M3SCS12	M3 Socket Cap Screw x 12 Long	5
31	RAI 762170	Linear Slide Rail (M)	1
32	M3SCS08	M3 Socket Cap Screw x 08 Long	6
33	asy 762271	Assembly Linear Carrage (53)	1
34	M3SCS06	M3 Socket Cap Screw x 06 Long	19
35	ASY 762207	Assembly Vertical (53M)	1
36	M3SCS25	M3 Socket Cap Screw x 25 Long	2
37	BEL 762064	Belt Drive 53 Pressure	1
38	PLA 762209	Plate Ribbon Clamp (M)	1
39	M3BHS06	M3 Button Head Screw 06 Long	2
40	ASY 762199	Assembly Printhead 53	1
41	GUA 762115	Guard LH (53M)	1
42	GUA 762116	Guard RH (53M)	1
43	SPA 762166	Hexagonal PCB Spacer	4
44	PCB 762371	Interconnect Board Assembly	1
45	GUA 762473	Back Guard Universal (53 & 107 M)	1
46	ASY 762505	Assembly USB-B Connectors	1
47	M4BHS08	M4 Button Head Screw 08 Long	3
48	LAB 763087	Power Supply CE Label	1
49	SPR 762088	Spring	2
50	SPR 530012	Spring	2
51	ASY 765152	Assembly Print & Processor Complete	1



NOTE,
Assembly 762231, 762242,
are Omitted from Drawing

UNLESS OTHERWISE SPECIFIED: DIMENSIONS ARE IN MILLIMETERS		FINISH: None	DEBUR AND BREAK SHARP EDGES	DO NOT SCALE DRAWING	REVISION	6
TOLERANCES: LINEAR: ANGULAR:						
NAME	DATE	TITLE				
Colin Plimsaul	23JUL2007	Assembly Printer Body (53M)				
CHKD		DWG NO.				
APPVD		ASY 762001-6				
MFG		QTY				
QA		1				
MATERIAL		See Parts List		SCALE:1:1.2		
WEIGHT:				SHEET 1 OF 1		
				MODEL: Thermocode		