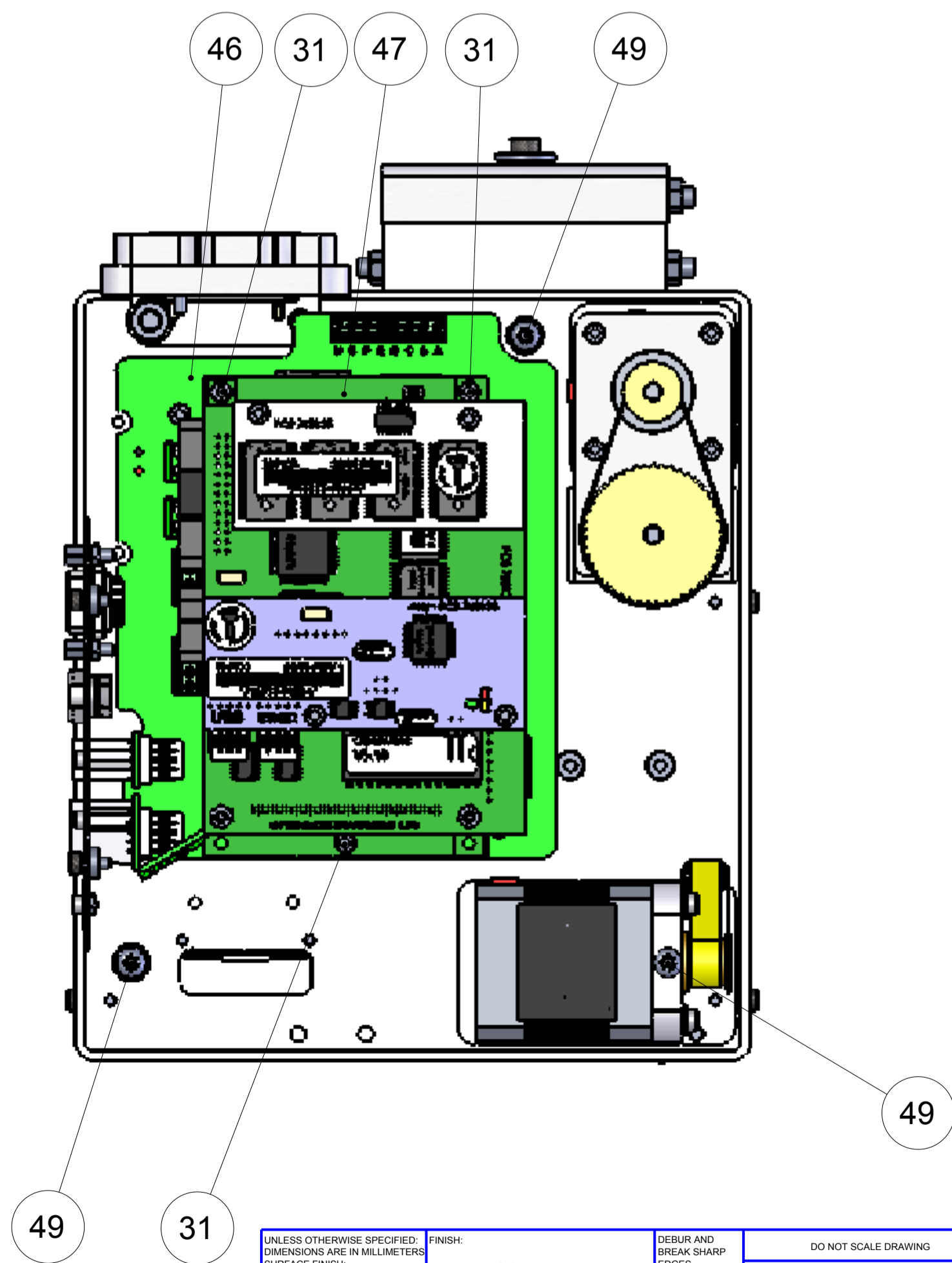
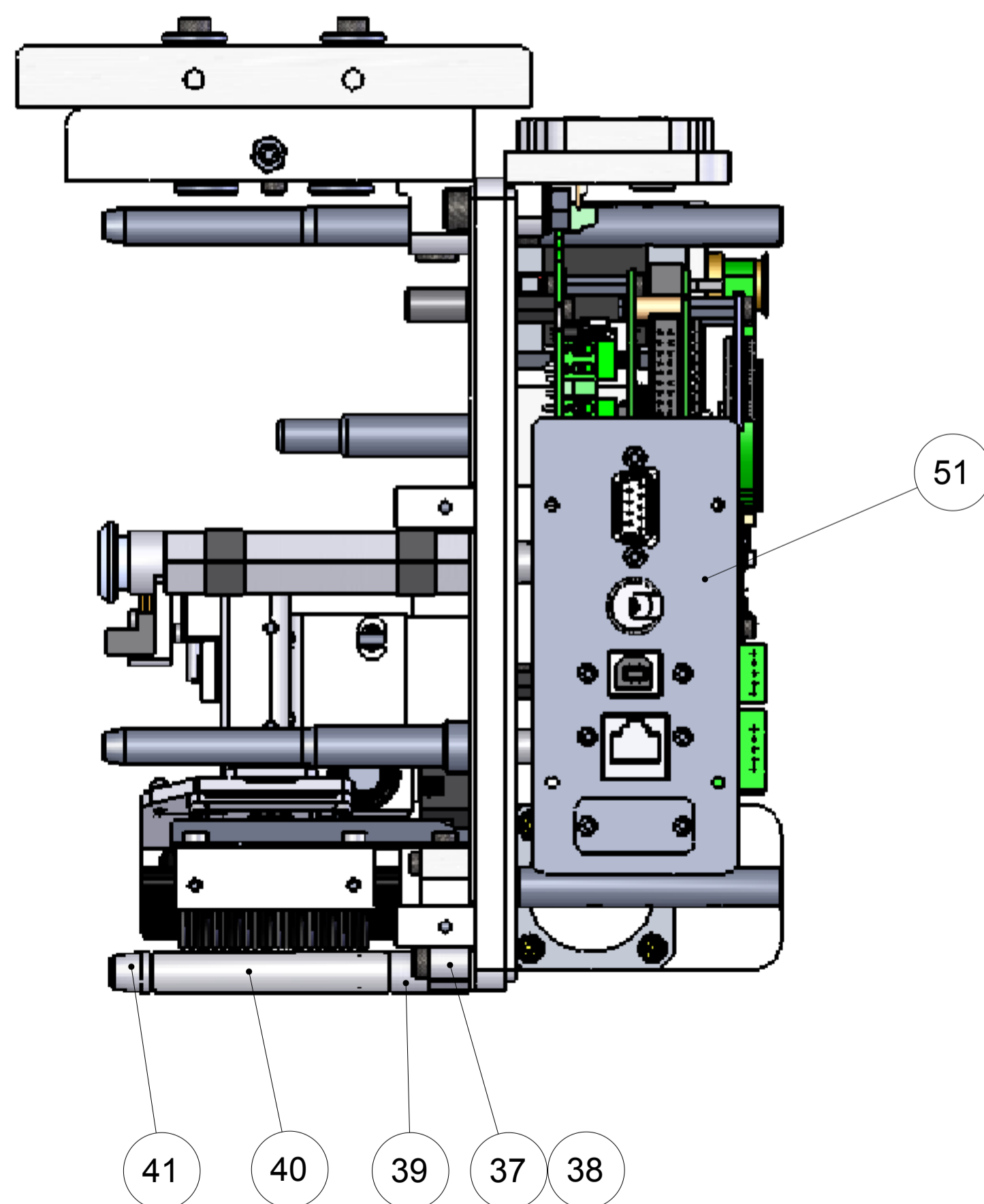
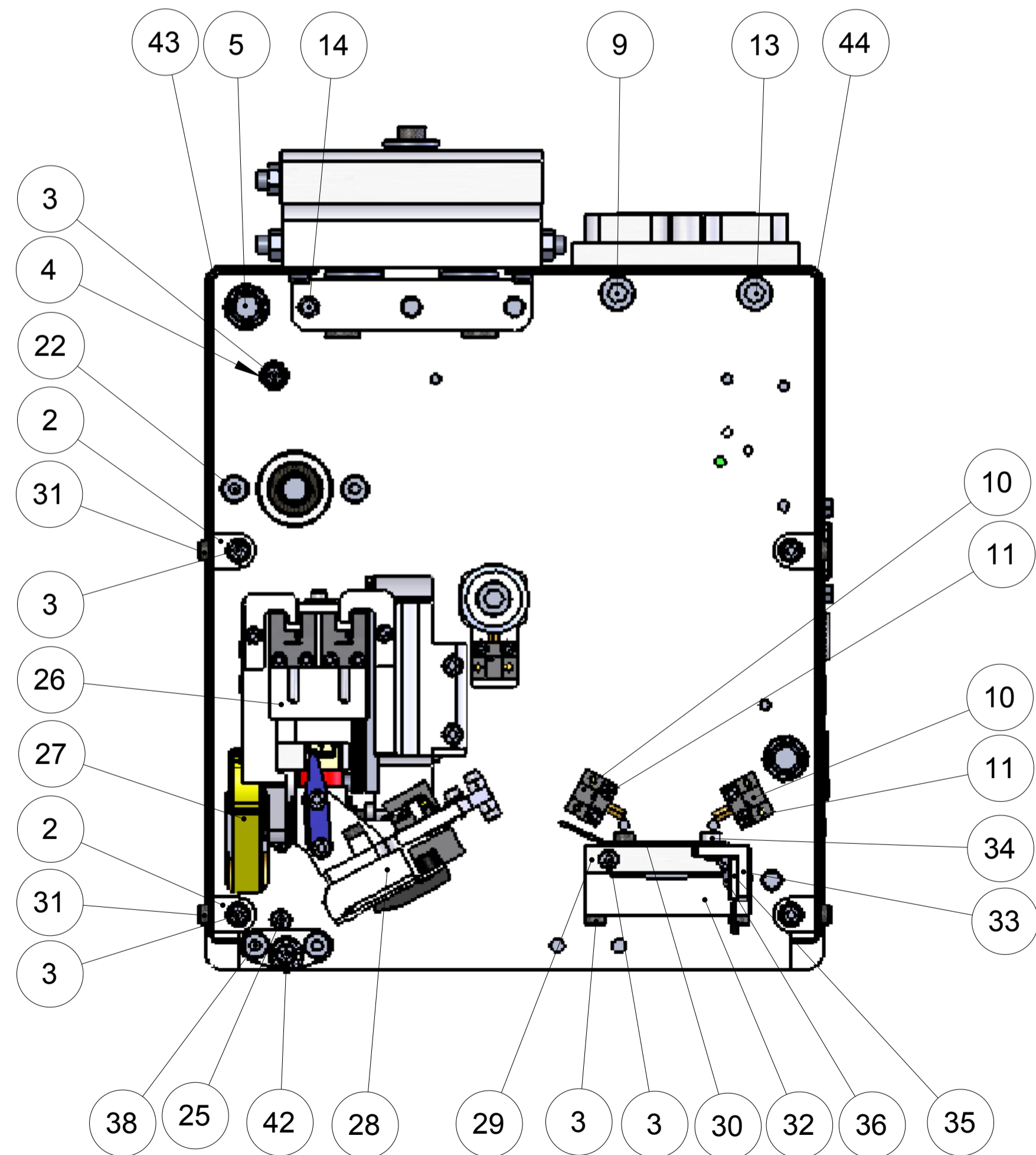
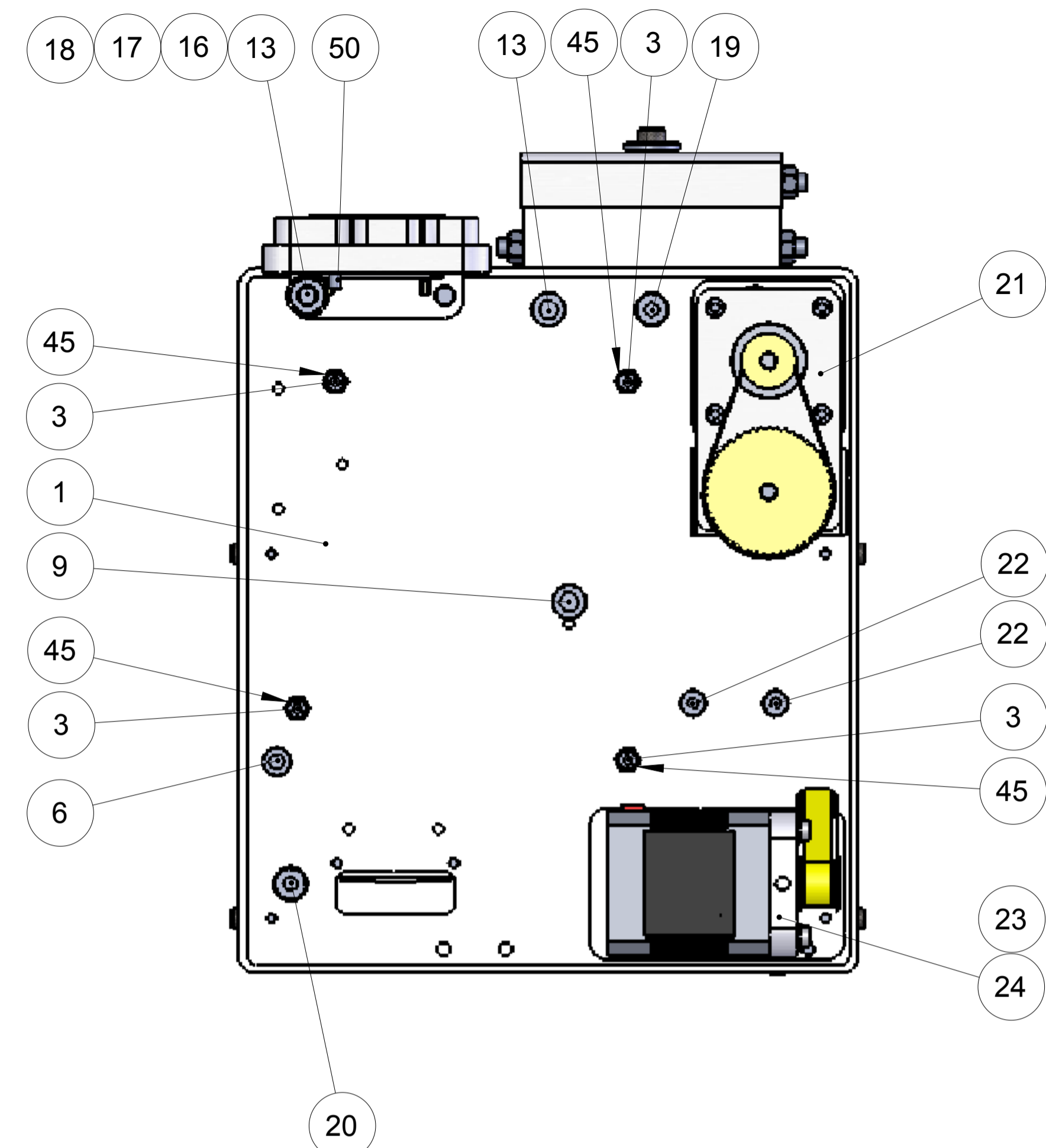
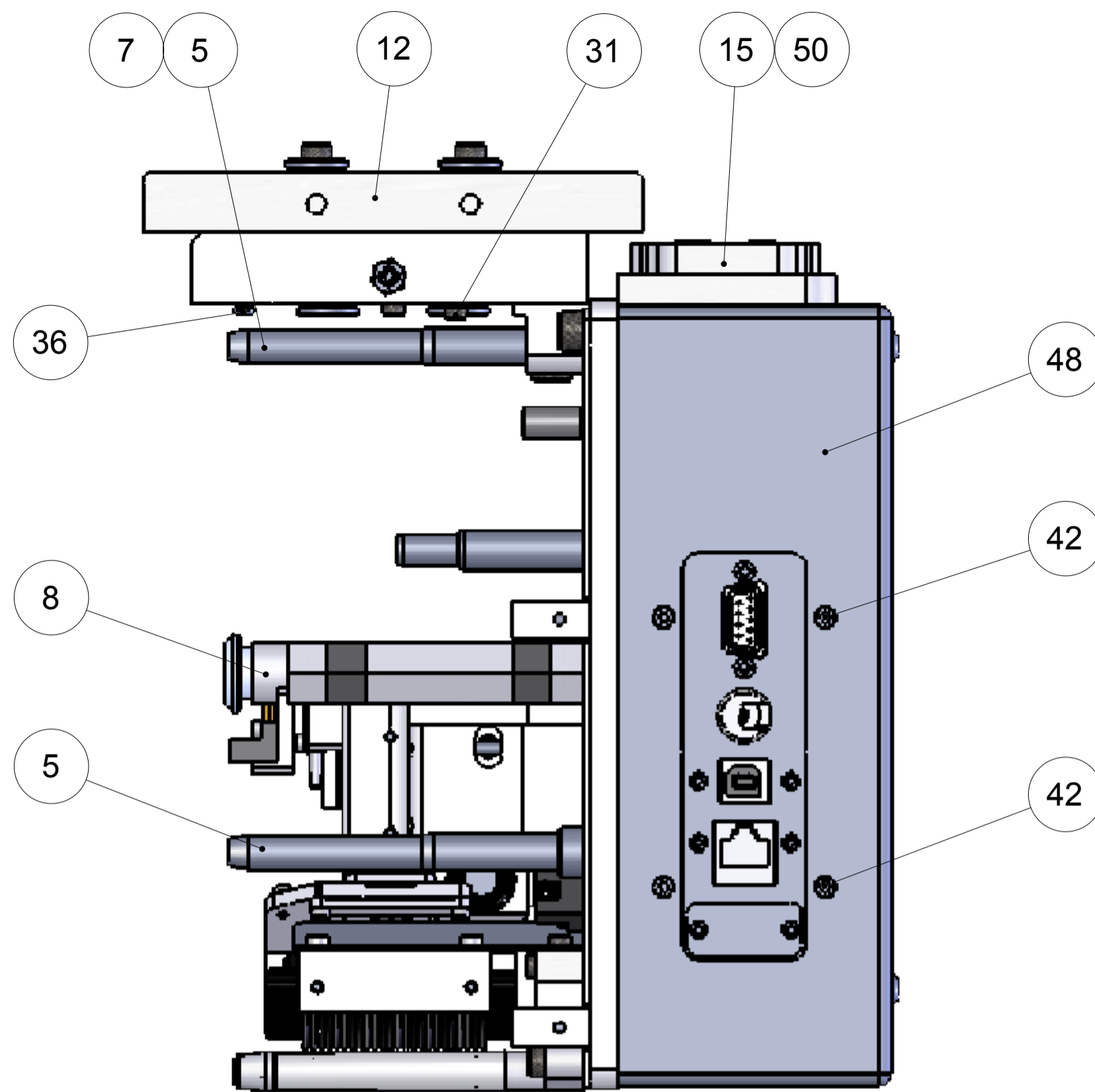


ITEM NO.	PART NUMBER	DESCRIPTION	QTY.
1	PLA 762105-8	Plate Machine Body (Conti)	1
2	BLO 762093	Block Cassette Stop	4
3	M3SCS16	M3 Socket Cap Screw x 16 Long	13
4	SLE 761042	Sleeve Stop	1
5	STU 762351	Stud Location (53)	2
6	M5SCS25	M5 Socket Cap Screw 25 Long	1
7	M5CSS12	M5 Counter Sunk Screw 12 Long	1
8	ASY 762269	Assembly Cassette Stop (53)	1
9	M6SCS20	M6 Socket Cap Screw 20 Long	2
10	ELE 762092(B)	Sensor Linear Movement	2
11	M2.5SCS08	M2.5 Socket Cap Screw 08 Long	4
12	ASY 762315	Assembly Printhead Support 53C	1
13	M6SCS25	M6 Socket Cap Screw 25 Long	2
14	M6CSS20	M6 Counter Sunk Screw 20 Long	1
15	ASY 762318	Assembly Connector Block (Conti)	1
16	M6WASSHK	M6 Shakeproof Washer	1
17	M6WAS	M6 Stainless Steel Washer	1
18	M6NUT	M6 Full Nut	1
19	SOC 762148	Socket Guard Support	1
20	SOC 762149	Socket Guard Support	1
21	ASY 762314	Assembly Ribbon Motor(C)	1
22	M4SCS16	M4 Socket Set Screw 16 Long	4
23	SPR 530012	Spring	2
24	ASY 762181	Assembly Pressure Motor	1
25	M3SCS12	M3 Socket Cap Screw x 12 Long	2
26	ASY 762312	Assembly Vertical (53C)	1
27	BEL 762064	Belt Drive 53 Pressure	1
28	ASY 762199	Assembly Printhead 53	1
29	BLO 762295	Block Ribbon Support	1
30	PLA 762297	Plate Ribbon Guide 53	1
31	M3SCS06	M3 Socket Cap Screw x 06 Long	11
32	BLO 762099	Block 26 Way Ribbon Cable	1
33	BRA 762360	Angle Bracket 53C	1
34	M3SCS05	M3 Socket Cap Screw x 05 Long	2
35	BRU 762363	Brush Antistatic 53C	1
36	M3BHS06	M3 Button Head Screw 06 Long	4
37	BLO 762292	Block Roller Support	1
38	M4SCS12	M4 Socket Set Screw 12 Long	3
39	STU 761025	Stub Foil Guide 53	1
40	ASY 761106	Assembly Foil Guide (53)	1
41	SLE 761027	Sleeve Foil Guide	1
42	M3SCS08	M3 Socket Cap Screw x 08 Long	5
43	GUA 762111	Guard Left Hand (53S)	1
44	GUA 762112	Guard RH (Conti) 53	1
45	SPA 762166	Hexagonal PCB Spacer	4
46	PCB 762303	Continuous Interconnect Asy	1
47	ASY 765152	Assembly Print & Processor Complete	1
48	GUA 762472	Back Guard Universal (53S)	1
49	M4BHS08	M4 Button Head Screw 08 Long	3
50	M3SCS10	M3 Socket Cap Screw x 10 Long	1
51	ASY 762505	Assembly USB-B Connectors	1



NOTE
 Assembly 762230, 762241,
 are Omitted from Drawing

UNLESS OTHERWISE SPECIFIED: DIMENSIONS ARE IN MILLIMETERS		FINISH: None	DEBUR AND BREAK SHARP EDGES	DO NOT SCALE DRAWING	REVISION	3
NAME	DATE	TITLE:		Assembly Printer Body (53CL)		
Colin Plimsaul	01AUG2007					
CHKD:						
APP'VD:						
MFG:						
Q.A.						
		MATERIAL: See Parts List		DWG NO:		ASY 762006-3
				QTY:		1
				SCALE: 1:1.3		SHEET 1 OF 1
				MODEL:		Thermocoder
						A1