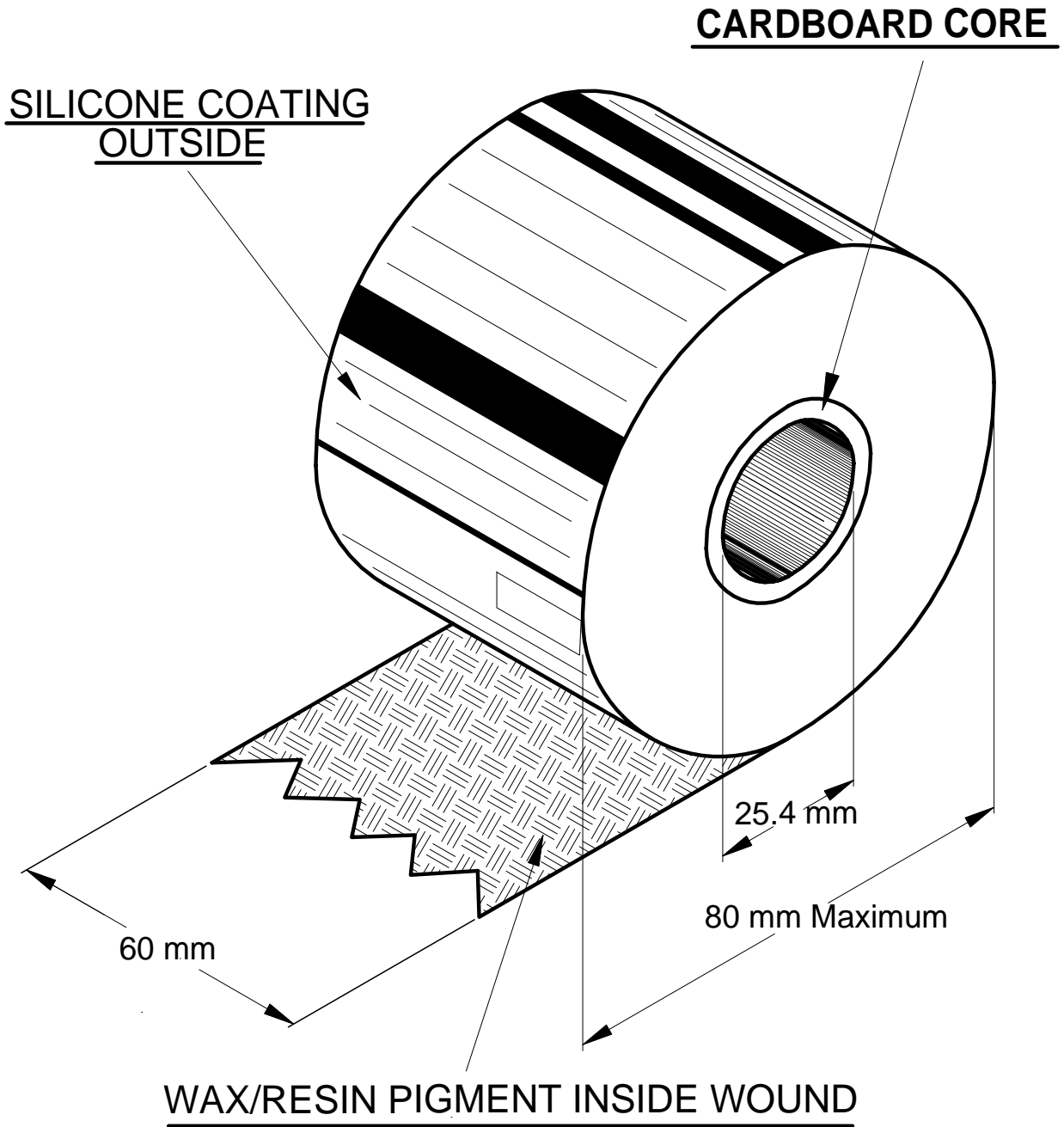


INSTALLATION SHEET



NO LOCATION SLOTS REQUIRED IN CORE
NO LEADERS OR TRAILERS REQUIRED ON FOIL

SEE REF 757007 FOR THREADING DIAGRAM

ISSUE 1	DATE 15/05/97	TITLE THERMOCODE RIBBON DETAILS	
DRAWN CC	CHECKED	SCALE 1:1	PART NO. REF 757008
OPEN DATE EQUIPMENT LTD			